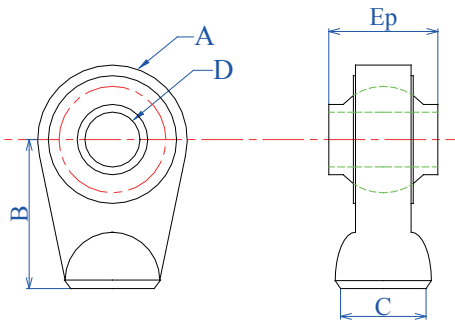


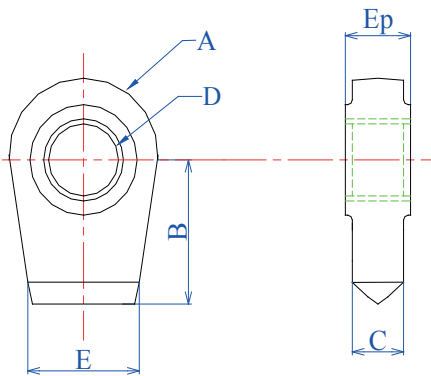


Accessoires pour vérins hydrauliques

Rotules agricoles

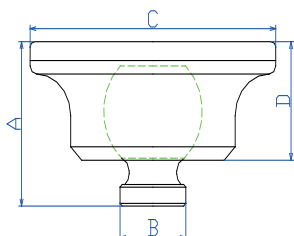


SR10695	55	50	25	19,0	44	404.019.30000
SR10700	62	34	30X13	19,0	44	404.019.30001
SR10720	62	60	34	20	44	404.020.30000
SR10707	62	58	34	22,1	44	404.022.30000
SR10712	62	60	34	22,1	44	404.022.30001
SR10746	72	70	45	22,1	51	404.022.30002
SR10725	62	50	26	22,1	35	404.022.30004
SR10730	75	65	38	22,1	51	404.022.30005
SR10756	85	70	50	22,1	51	404.022.30006
SR10760	85	70	50	25,4	51	404.025.30000
SR10742	70	70	45	25,4	51	404.025.30001
SR10735	75	65	38	25,4	40	404.025.30002
SR10740	75	65	38	25,4	51	404.025.30003
SR10733	75	55	35	28,4	51	404.028.30000
SR10810	83	65	50	30	55	404.030.30000
SR10817	92	65	50	30	55	404.030.30001
SR10793	90	85	40	32	51	404.032.30000
SR10825	92	65	50	32	51	404.032.30002
SR10812	83	65	50	35	35	404.035.30000
SR10815	83	65	50	35	55	404.035.30001
SR10820	108	85	60	40	75	404.040.30000



SR10495	46	60	11	16	30	20	404.016.30020
SR10496	52	50	17	19	52	44	404.019.30020
SR10500	67	50	18	22,1	60	35	404.022.30003
SR10503	66	70	15	22,1	55	35	404.022.30020
SR10506	78	80	18	25,4	70	38	404.025.30020
SR10507	78	80	18	28,4	70	38	404.028.30020
SR10602	96	65	22	35,0	70	45	404.035.30020

Rotules à sphère



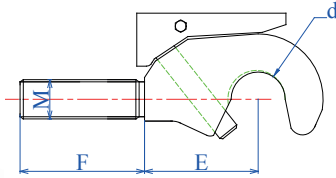
SPHS45	62	30	112	44	45	11	404.045.00000
SPHS55	78	45	95	55	55	15	404.055.00000
SPHS65	88	64	108	58	65	23	404.065.00000
SPHS72	102	72	150	62	72	30	404.072.00000
SPHS92	125	90	178	71	92	50	404.092.00000



Accessoires pour vérins hydrauliques

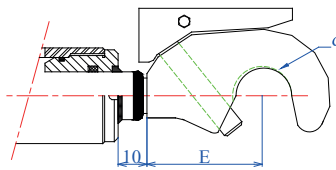
Crochets agricoles à visser ou à souder

À visser



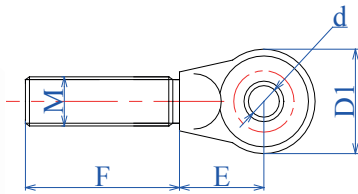
GR10981	105	180	50	2	M30X3	404.050.30300
GR10971	105	180	50	2	M36X3	404.050.36300
GR10972	132	180	60	3/2	M36X3	404.060.36300

À souder



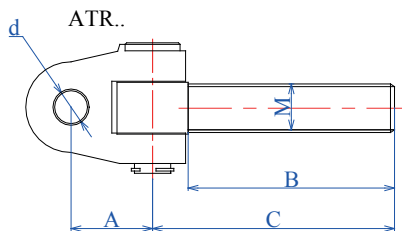
GR10969	105	0	50	2	F27X2	404.050.27200
GR10979	132	0	60	3/2	F27X2	404.060.27200
GR10970	132	0	60	3/2	F36X2	404.060.36200

Rotules à visser sur tige



TF10355DX	62	50	175	19	M30X3	44	404.019.36400
TF10358DX	62	50	175	19	M30X3,5	44	404.019.36401
TF10300DX	58	50	115	19	M22X2.5	44	404.019.3640**
TF10400DX	75	55	165	25,4	M30X3	51	404.025.36400
TF10415DX	75	55	165	25,4	M30X3,5	51	404.025.36401
TF10420DX	80	55	165	25,4	M36X3	51	404.025.36402
TF10460DX	96	70	200	32	M36X3	51	404.032.36400
TF10440DX	96	70	200	25,4	M36X3	51	404.025.36403
TF10351DX	80	60	180	28,4	M27X3	45	404.028.36400

Rotules articulées



ATR 19	63	190	220	19	M30X3,5	404.019.36500
ATR 25	63	190	220	25,4	M36X3	404.025.36500
ATR 28	63	190	220	28	M36X3	404.028.36500
ATR 32	63	190	220	32	M36X3	404.032.36500